



Catalogue of Disc Bearing Housing Assemblies



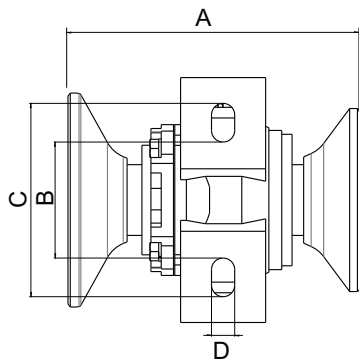
www.ingersollarg.com.ar

• Rev.: 00 - Mayo 2017



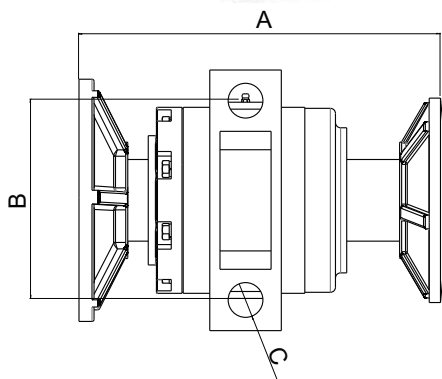
Sistema de
Gestión
ISO 9001:2015

www.tuv.com
ID 9105026997



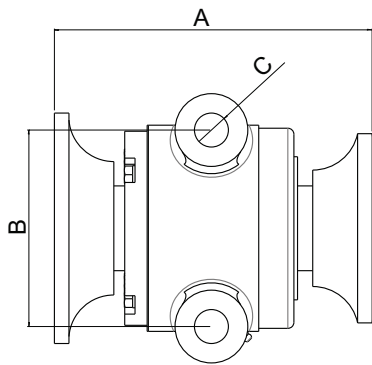
ESPECIFICACIONES

Code	Axle	A	B	C	D	Lubricant
1904	Ø1.1/2"	225	90	150	18	Oil
1808	Ø1.1/2"	225	90	150	18	Grease
1845	Ø1.1/2"	205	90	150	18	Grease
1890	Cuad.1.1/4"	225	90	150	18	Grease
	Ø1.1/2"					Grease
1838	Ø1.1/4"	180	91	179	20	Oil
1803	Ø1.1/2"	205	91	179	20	Oil
1846	Ø1.1/4"	205	91	179	20	Grease
1920	Ø1.5/8"	225	127	203	20	Oil
1802	Ø1.5/8"	235	127	203	20	Oil
1801	Ø1.5/8"	245	127	203	20	Oil
1873	Ø1.3/4"	235	127	203	20	Oil



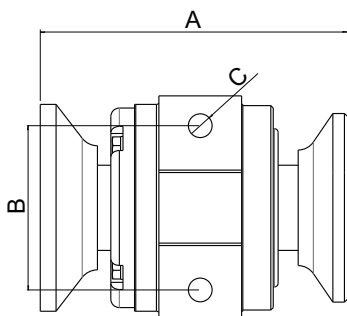
ESPECIFICACIONES

Code	Axle	A	B	C	Lubricant
1847	Ø2.1/8"	350	195	34	Grease
1869	Ø2.1/8"	350	195	34	Oil



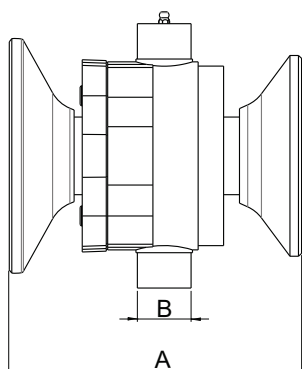
ESPECIFICACIONES

Code	Axle	A	B	C	Lubricant
1810	Ø1.1/2"	225	155	25	Oil
1817	Ø1.1/2"	225	155	25	Grease
1832	Ø1.5/8"	235	170	28	Grease
1820	Ø1.5/8"	235	162	28	Grease
1811	Ø1.5/8"	245	162	28	Grease
1829	Ø1.5/8"	245	162	28	Grease
1921	Ø1.5/8"	245	162	28	Oil
1917	Ø2"	245	162	28	Grease
1818	Ø2"	245	162	28	Grease
1883	Ø1.3/4"	245	162	28	Grease
1858	Ø2"	280	162	28	Grease
1871	Ø1.5/8"	280	162	28	Grease
1868	Ø2.1/8"	305	162	28	Grease
1830	Ø2.1/8"	305	162	28	Oil
1876	Ø2.1/4"	330	207	28	Oil
1872	Ø1.5/8"	355	162	28	Grease



ESPECIFICACIONES

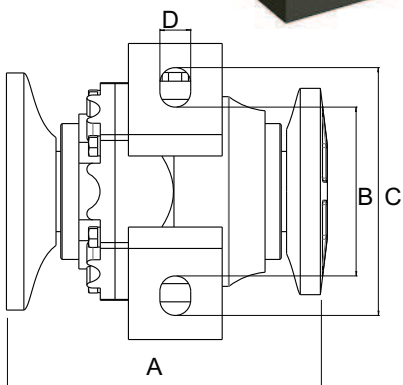
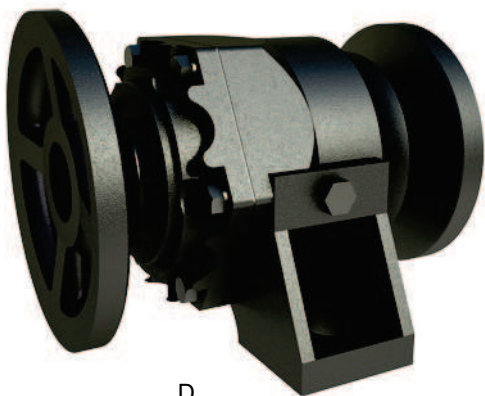
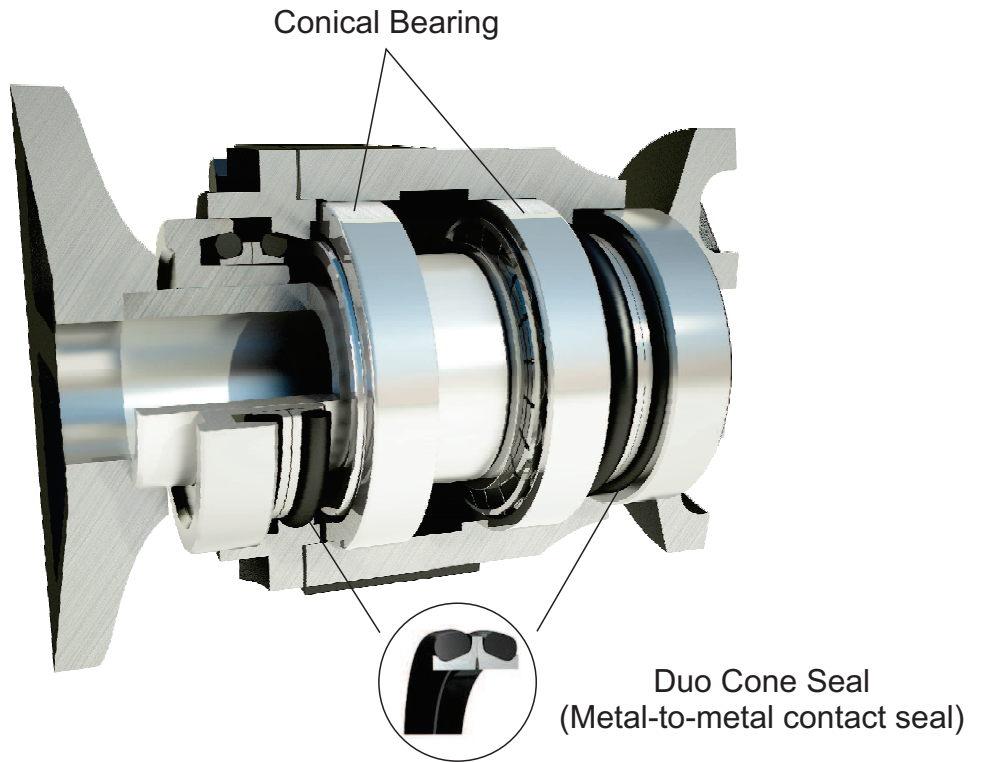
Code	Axle	A	B	C	Lubricant
1922	Ø1.5/8"	200	120	R.3/4"	Grease
1835	Ø1.5/8"	230	120	R.3/4"	Grease
1906	Ø1.5/8"	230	135	R.7/8"	Grease
1840	Ø1.5/8"	245	135	R.7/8"	Grease
1860	Ø2"	245	135	R.7/8"	Grease
1852	Ø2.1/4"	245	160	R.1"	Grease
1836	Ø1.5/8"	245	160	R.1"	Grease
1837	Ø2"	245	160	R.1"	Grease



ESPECIFICACIONES

Code	Axle	A	B	Lubricant
1905	Ø1.5/8"	175	28,5	Grease
1827	Ø1.1/2"	200	36	Grease
1800	Cuad. 1.1/4"	205	25	Grease
1908	Ø1.1/2"	205	31	Grease
1816	Ø1.1/2"	205	35	Grease
1804	Ø1.1/2"	205	38	Grease
1806	Ø1.1/2"	205	38	Oil
1915	Ø1.3/4"	215	38	Grease
1821	Cuad. 1.1/4"	220	34	Grease
	Ø1.1/2"			Grease
1907	Cuad. 1.1/4"	220	31	Grease
	Ø1.1/2"			Grease
1867	Ø1.1/2"	225	32	Grease
1909	Ø1.1/2"	225	31	Grease
1862	Ø1.1/2"	225	35	Grease
1805	Ø1.1/2"	225	38	Grease
1807	Ø1.1/2"	225	38	Oil
1924	Ø1.5/8"	225	38	Grease
1853	Ø1.1/2"	225	38	Grease
1854	Ø1.1/2"	225	38	Oil
1834	Cuad. 1.1/4"	225	38	Grease
	Ø1.1/2"			Grease
1839	Ø1.1/2"	230	34	Grease
1844	Ø1.1/2"	230	34	Grease
1848	Ø1.1/2"	230	34	Grease
1851	Ø1.1/2"	230	35	Grease
1885	Ø1.5/8"	230	35	Grease
1843	Ø1.5/8"	230	38	Grease
1828	Ø1.5/8"	230	38	Grease
1865	Ø1.7/8"	230	38	Grease
1850	Ø1.5/8"	245	48	Grease

DUO CONE DISC BEARING HOUSING



ESPECIFICACIONES

Code	Axle	A	B	C	D	Lubricant
1881	Ø1.1/2"	225	91	149	18	Oil
1878	Ø1.5/8"	225	126	185	23	Oil
1879	Ø1.5/8"	245	126	185	23	Oil



Ingersoll Argentina S.A

Misiones 1830 (X2659BIL)
Monte Maíz, Córdoba, Argentina.

Tel: +54 03468 471341/351
Fax: +54 03468 471738

E-mail: ventas@ingersollarg.com.ar
www.ingersollarg.com.ar