



Catalogue of Products

Spindles Folder

(Just for agricultural purposes)



Rev.: 07 / Oct. 2015



Sistema de
Gestión
ISO 9001:2015

www.tuv.com
ID 9105026997

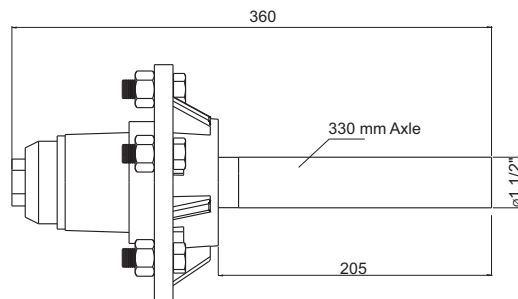
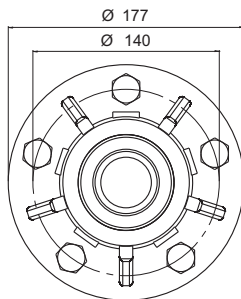
5/7 Spindle

1000 Kg per axle



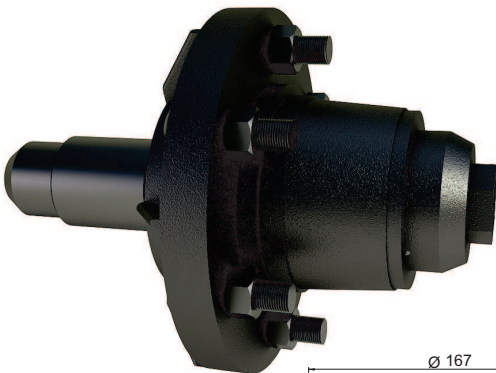
1833 30205/30207 Hub

Code	Parts
170376	5/7 Hub
170377	Cover's hub
170425	Axle for hub
170355	7/8" Castle nut



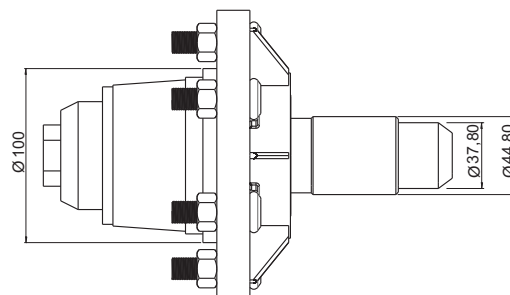
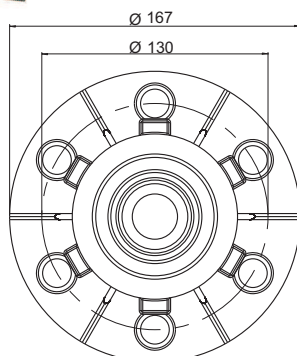
6/7 Spindle

1000 Kg per Axle



1888 30206/30207 Hub

Code	Parts
170599	Hub
170375	Cover's hub
170602	Axle for hub
170361	Castle nut
170555	Conical nut



6/8 Spindle

2000 Kg per Axle



1826 30206/08 Hub

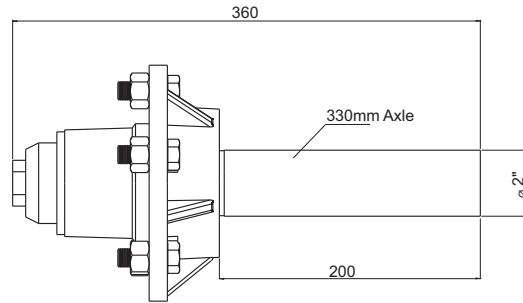
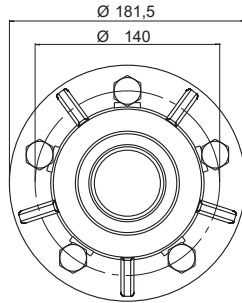
Code Parts

170366 Hub

170375 Cover's hub

170412 Axle for hub

170361 1" Castle nut



7/9 Spindle

3000 Kg per Axle



1841 30207/09 Hub

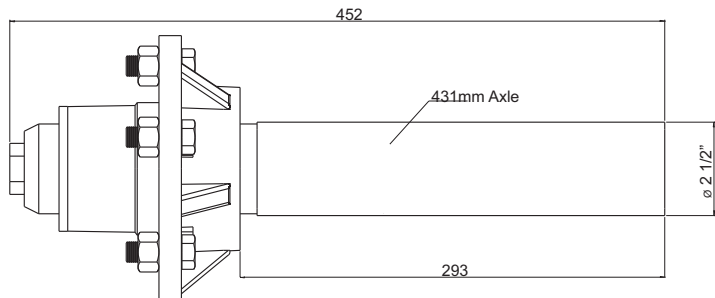
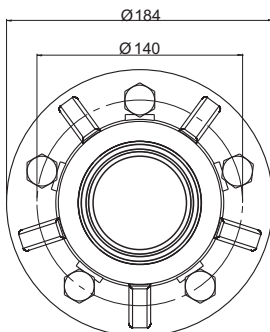
Code Parts

170440 Hub.

170442 Cover's hub

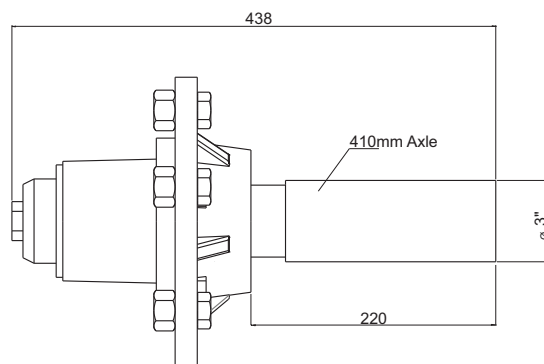
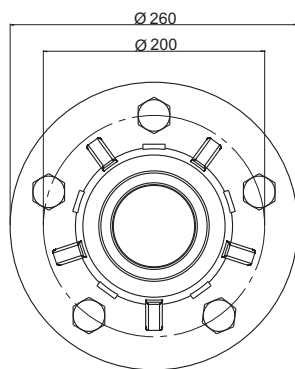
170444 Axle for hub

170443 1 1/4" Castle nut



9/11 Spindle

4000 Kg per Axle



1877 30209/11 Hub

Code Parts

170587 Hub

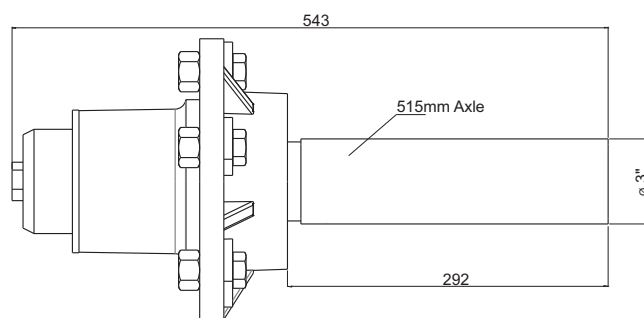
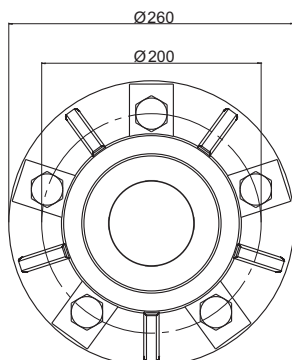
170588 Cover's hub

170583 Axle for hub

170585 1 1/2" Castle nut

11/13 Spindle

4000 Kg per Axle



1880 32211/13 Hub

Code Parts

170632 Hub

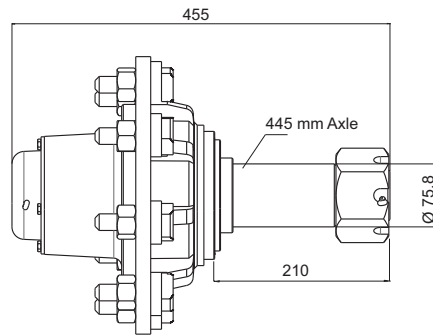
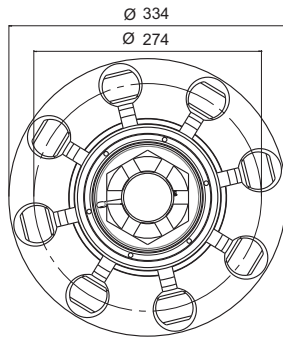
170636 Cover's hub

170637 Axle for hub

170633 1 5/8" Castle nut

12/14 Spindle

6000 Kg per Axle

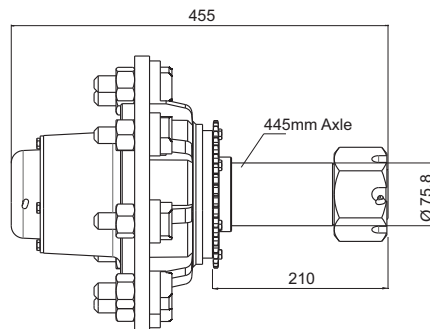
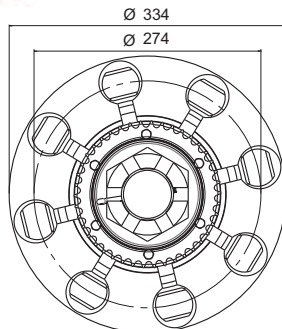


1813 32212/14 Axle

Code	Parts
170096	Hub
170125	Cover's hub
170094	Axle for hub
170126	2" Castle nut
170127	2 1/2" Castle nut.

12/14 Spindle

6000 Kg per Axle



1861 32212/14 Hub

Code	Parts
170096	Hub
170125	Cover's hub
170094	Axle for hub
170126	2" Castle nut
170127	2 1/2" Castle nut
170161	Gear's hub .

WORLD CLASS PRODUCTS

Traditionally Ingersoll Argentina has supplied steel disc and coulter blades for ploughs, harrows, seeders and planters and lately our product list has been enlarged with several new products such as seeding units and sugar cane harvester blades. The company also works hard on the development of other agricultural parts such as sweeps and hubs and spindles.

Ingersoll Argentina has been leading the domestic market for disc blades for over 50 years on a basis of innovation of products, process and management.

At this moment, we export to more than 20 countries all over the world.



Ingersoll Argentina S.A

Misiones 1830 (X2659BIL)
Monte Maíz, Córdoba, Argentina.

Tel: +54 03468 471341/351
Fax: +54 03468 471738

E-mail: ingersoll@ingersollarg.com.ar
www.ingersollarg.com.ar